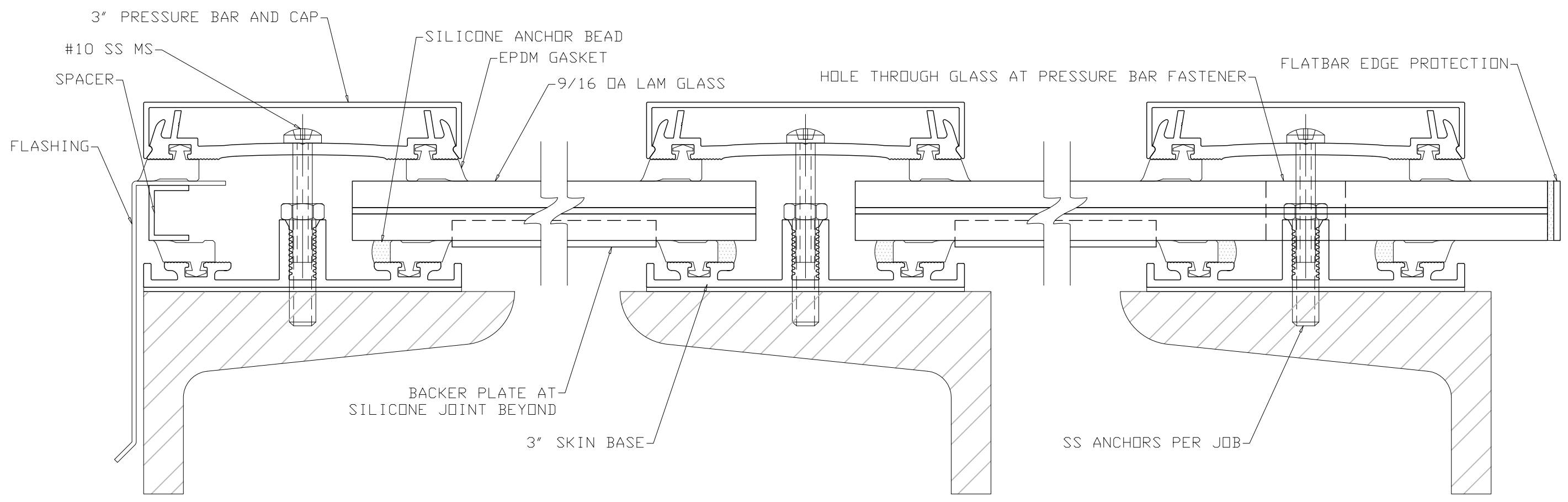


1 SILL DETAIL  
SCALE 1' - 0" = 1' - 0"

2 SILICONE JOINT DETAIL  
SCALE 1' - 0" = 1' - 0"

3 HEAD DETAIL  
SCALE 1' - 0" = 1' - 0"



4 RAKE DETAIL  
SCALE 1' - 0" = 1' - 0"

5 RAFTER DETAIL  
SCALE 1' - 0" = 1' - 0"

6 ALT RAKE DETAIL  
SCALE 1' - 0" = 1' - 0"