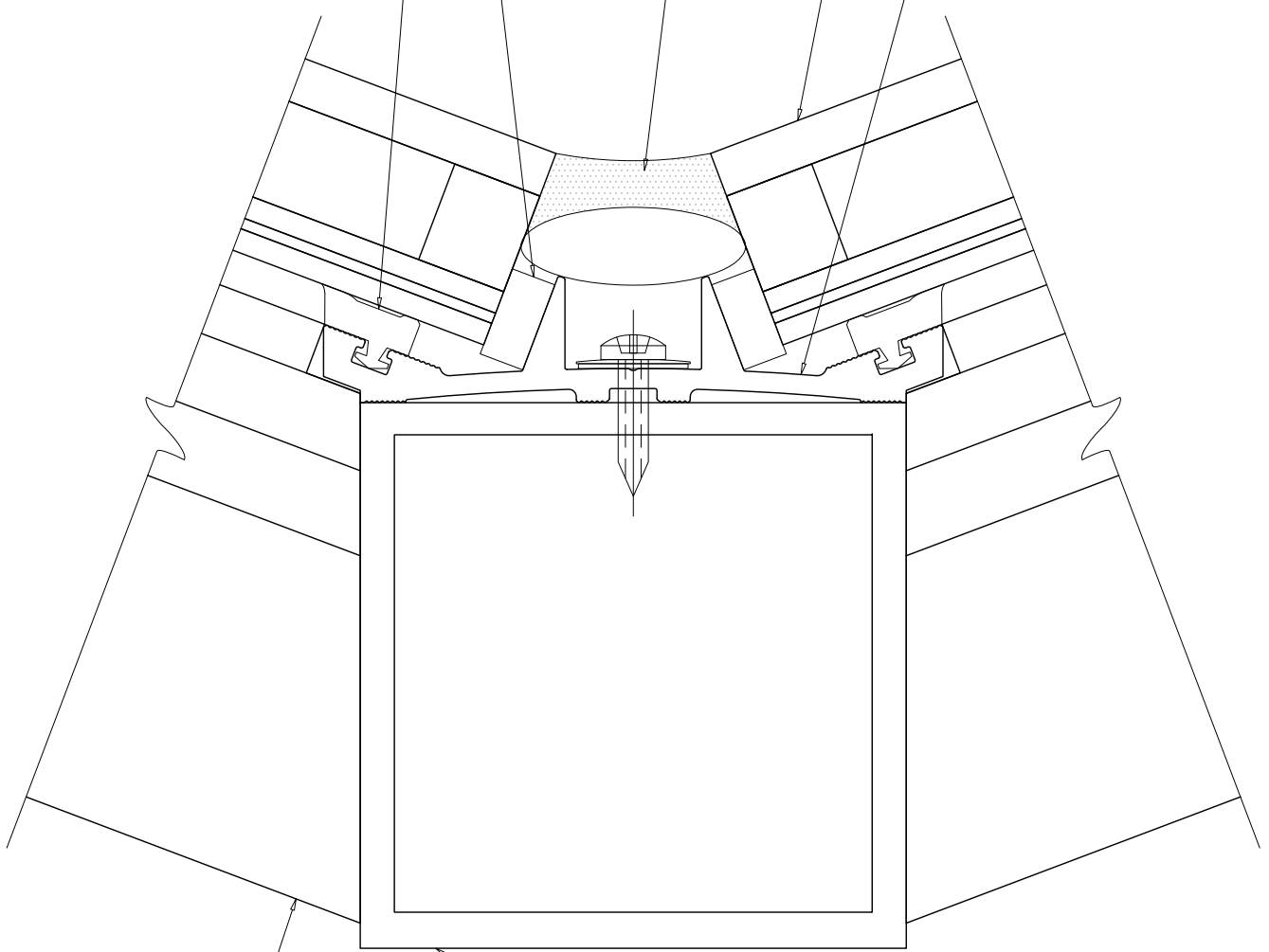


NO.	REVISIONS DATE	BY
-	-	-
-	-	-
-	-	-
-	-	-

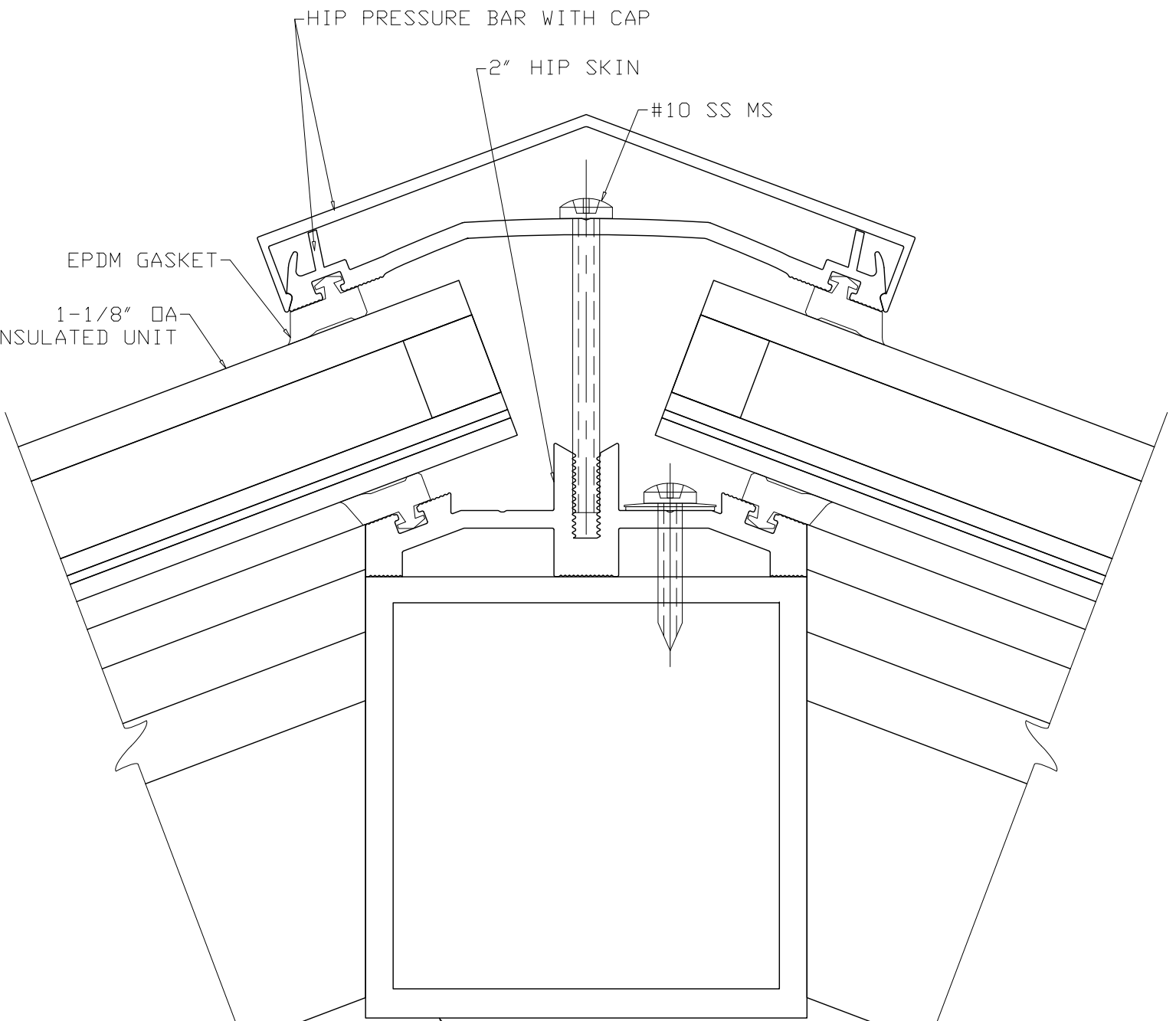
SETTING BLOCKS
 EPDM GASKET
 SILICONE JOINT WITH BACKER ROD
 1-1/8" O.A. INSULATED UNIT
 2" VALLEY SKIN



JACKRAFTER
 2" VALLEY TUBE, HEIGHT VARIES PER RAFTER SYSTEM USED

1 VALLEY SECTION
 SCALE 1' - 0" = 1' - 0"

HIP PRESSURE BAR WITH CAP
 2" HIP SKIN
 #10 SS MS
 EPDM GASKET
 1-1/8" O.A. INSULATED UNIT



JACKRAFTER
 2" VALLEY TUBE, HEIGHT VARIES PER RAFTER SYSTEM USED

2 HIP SECTION
 SCALE 1' - 0" = 1' - 0"