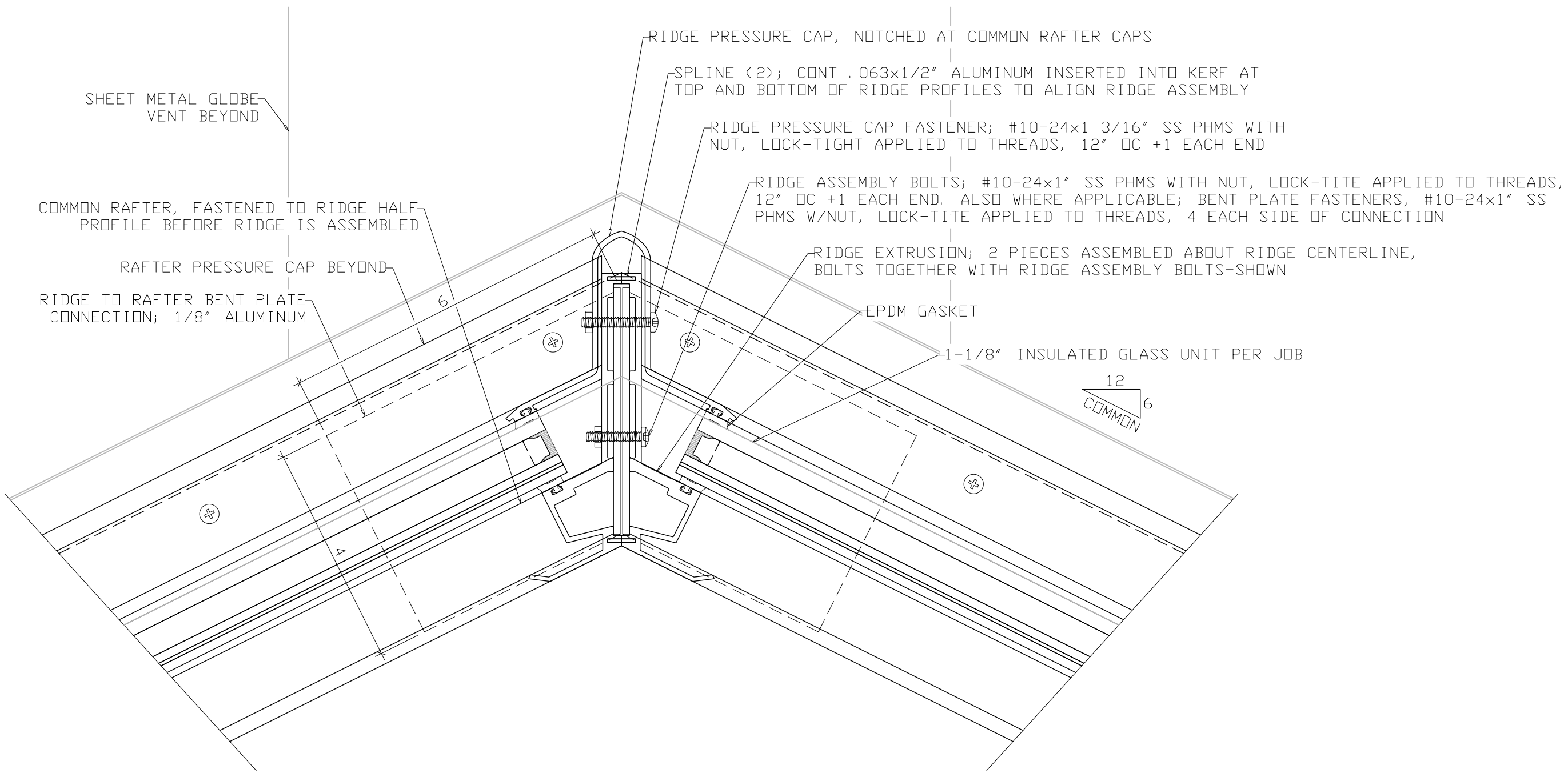


NO.	REVISIONS DATE	BY
-	-	-
-	-	-
-	-	-
-	-	-



3 HISTORIC RIDGE DETAIL  
 SCALE 6" = 1' - 0"