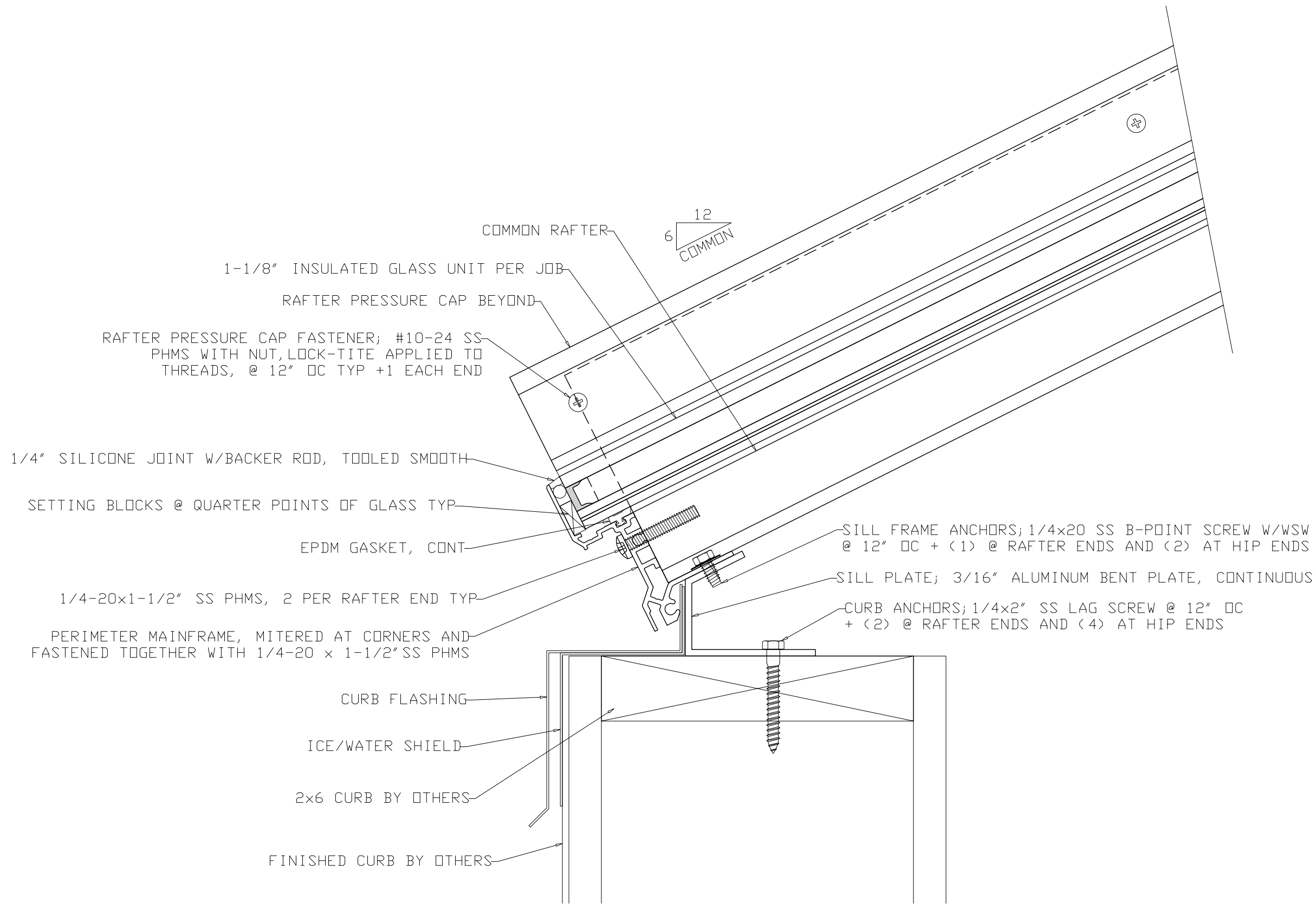


REVISIONS		
NO.	DATE	BY
-	-	-
-	-	-
-	-	-
-	-	-



1 HISTORIC SILL DETAIL
 SCALE 6"=1'-0"